



# YOSHIMURA

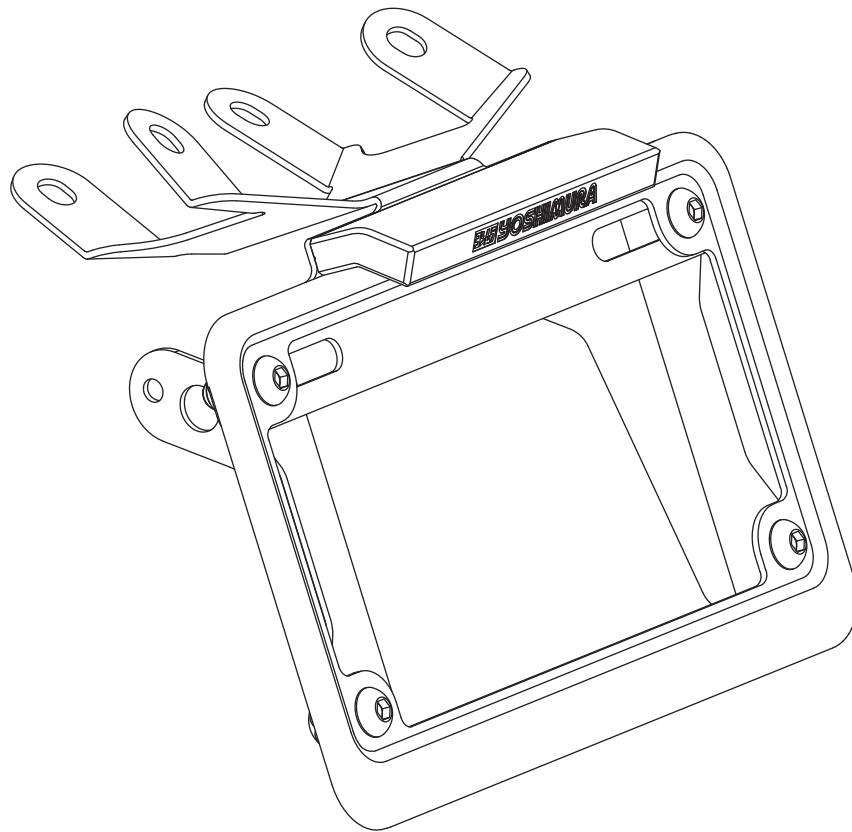
RESEARCH&DEVELOPMENT OF AMERICA, INC.

5420 DANIELS STREET STE A, CHINO CA., 91710 · (800)634-9166 · (909)628-4722 · FACSIMILE (909)591-2198

[www.yoshimura-rd.com](http://www.yoshimura-rd.com)

## **FENDER ELIMINATOR KIT**

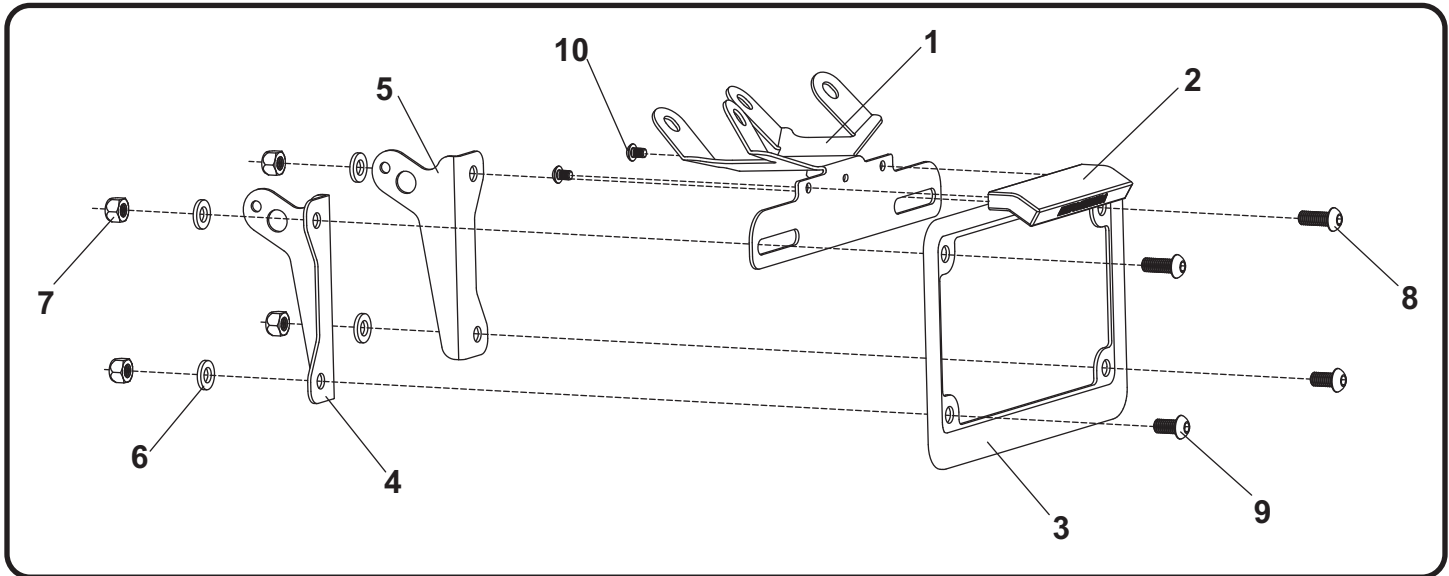
**070BG162900**  
**KTM 1290 Super Duke**



**THIS PRODUCT IS NOT DOT APPROVED.**

Yoshimura R&D of America, Inc. is not liable or responsible for any resulting event caused by the installation of this product. Check with local laws and regulations for compliance prior to installation and use. This product is not intended for use on public highways.





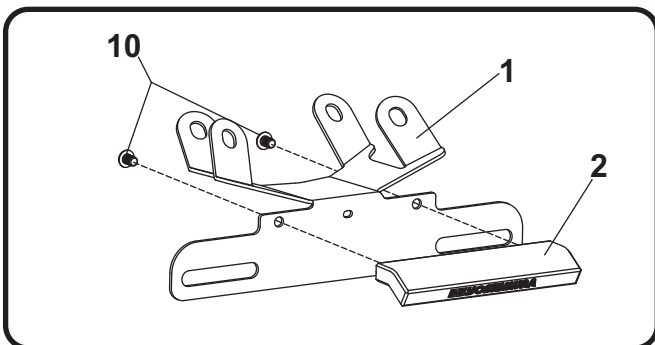
No.	Item	Description	Qty.
1	16290-FEBKT	Fender Eliminator Bracket	1
2	070BG-LH-K	LED License Plate Light	1
3	070BG-LPF	License Plate Frame	1
4	16290-TSBKT-R	Right Turn Signal Bracket	1
5	16290-TSBKT-L	Left Turn Signal Bracket	1
6	6MMWASHER	6mm Washer	4
7	6MMLN	6mm Nylon Lock Nut	4
8	M6X16BHS	6mm x 16mm Button Head Screw	2
9	M6X12BHS	6mm x 12mm Button Head Screw	2
10	M4X6BHS	4mm x 6mm Button Head Screw	2
**	94785-01-ND	Butt Connectors	2
**	ZT-300	Cable Ties	3
**	17029	Yoshimura Sticker Sheet	1

## Removal

1. Remove passenger seat.
2. Remove the eight tapping screws from beneath the stock fender assembly and remove lower fender cover.
3. Separate the stock fender assembly to access license plate light and turn signal wires.
4. Disconnect license plate light and turn signal wire connectors.
5. While supporting the stock fender assembly, remove the four shoulder bolts securing the fender assembly to the frame. Carefully remove the stock fender assembly by sliding out toward the rear of the motorcycle.
6. Remove left and right turn signal from the stock fender assembly.
7. Cut the stock license plate light connector from the stock fender assembly. Be sure to cut at least a 6" section of wire from the connector.

## Installation

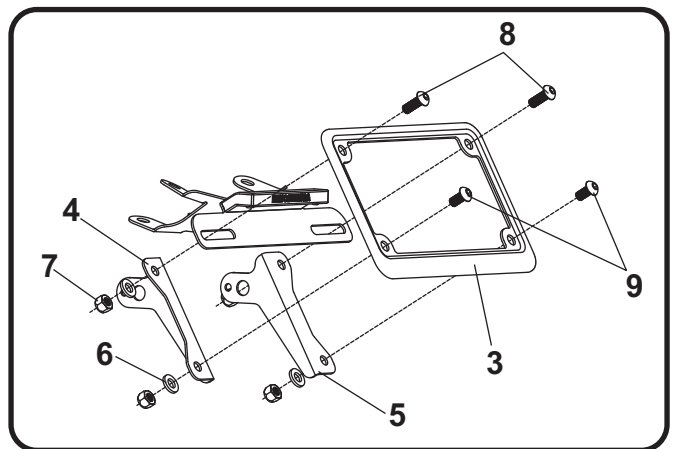
1. Install (No. 2) *070BG-LH-K*, Yoshimura license plate light onto (No. 1) *16290-FEBKT*, Yoshimura fender eliminator bracket using (No. 10) *M4X6BHS*, 4mm button head screws provided in the kit.



2. Using the *94785-01-ND* butt connectors provided in the kit, connect the Yoshimura license plate light wires to the stock license plate light wires as follows:

Yellow -to- Red  
Black/Yellow Wire -to- Black

3. Install stock left and right turn signals onto (No. 4,5) *16290-TSBKT-L/R*, left and right turn signal brackets.
4. Install (No. 1) *16290-FEBKT*, fender eliminator bracket by sliding into the slots in the undertail where the stock fender assembly was removed. Secure using the four stock shoulder bolts. Torque bolts to factory specification.
5. Install (No. 4,5) *16290-TSBKT-L/R*, left and right turn signal brackets and (No. 3) *070BG-LPF*, license plate frame using the (No. 8,9) *M6X16BHS* and *M6X12BHS*, 6mm button head screws as shown below.



6. Route license plate light and turn signal wires under passenger seat and reconnect.
7. Use the cable ties provided in the kit to secure license plate light and turn signal wires beneath passenger seat.
8. Re-install passenger seat.
9. Check for proper function of license plate light, turn signals, brake light, and that all brackets and components are secure prior to riding.